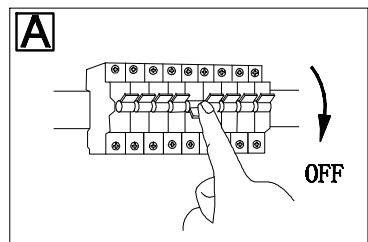


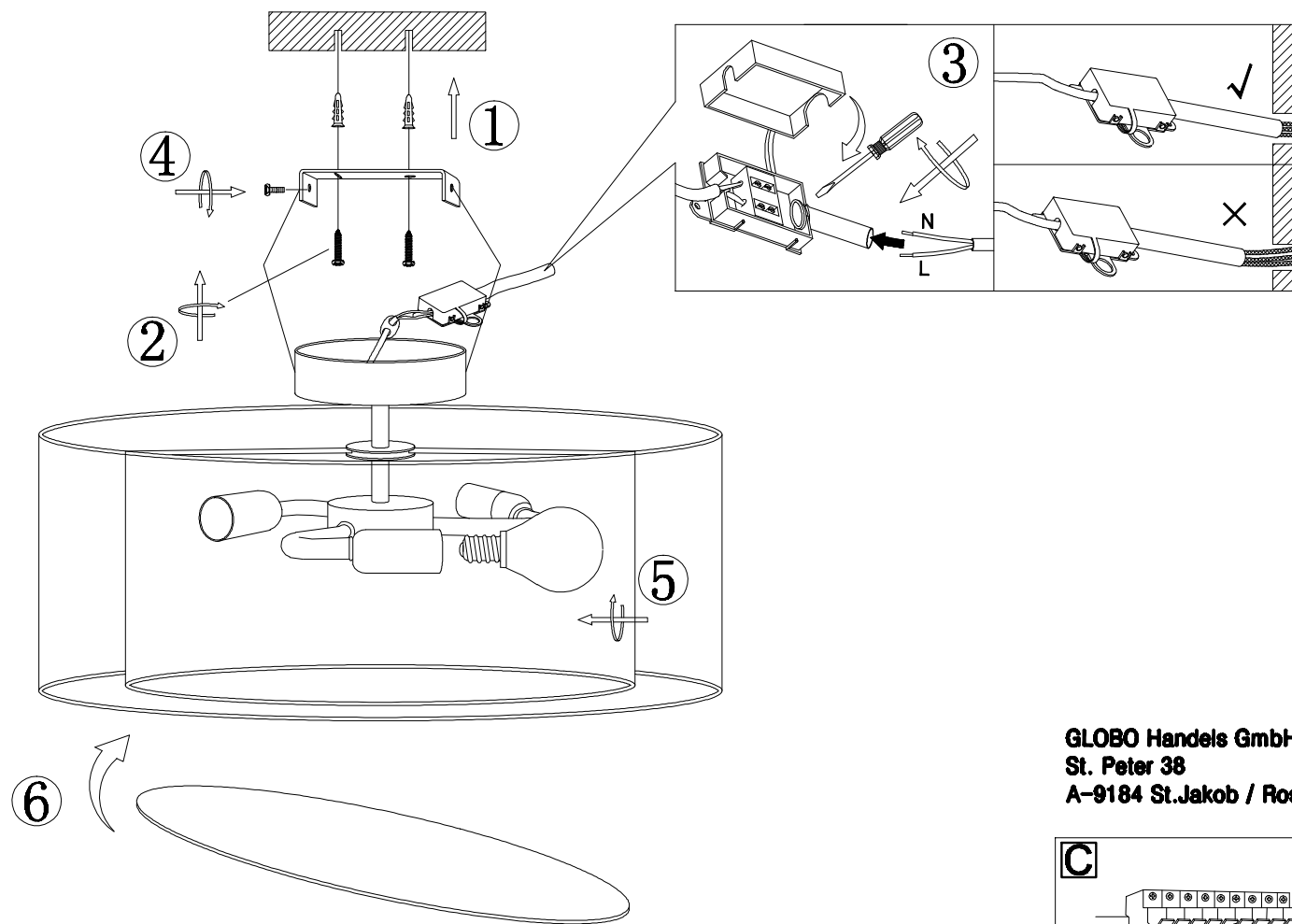
# GLOBO

LIGHTING

[www.globo-lighting.com](http://www.globo-lighting.com)



**B**



15190D

GLOBO Handels GmbH  
St. Peter 38  
A-9184 St.Jakob / Rosental

